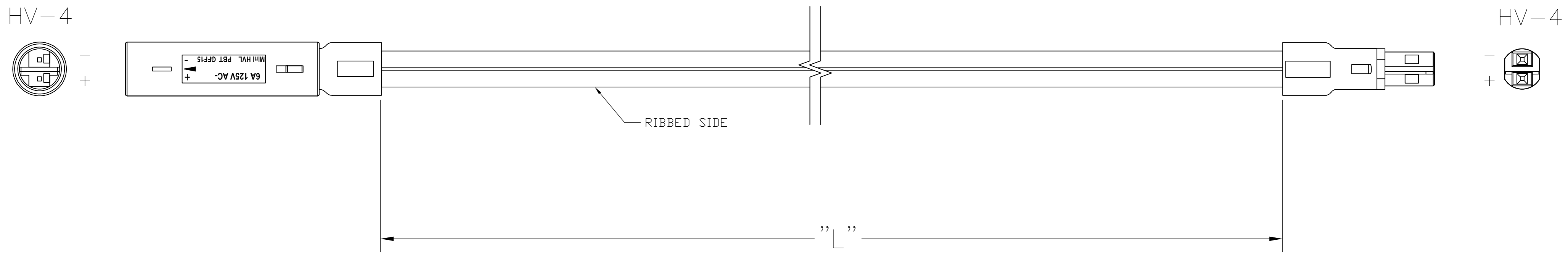


THIS DRAWING IS UNPUBLISHED. RELEASED FOR PUBLICATION
 © COPYRIGHT - By - ALL RIGHTS RESERVED.

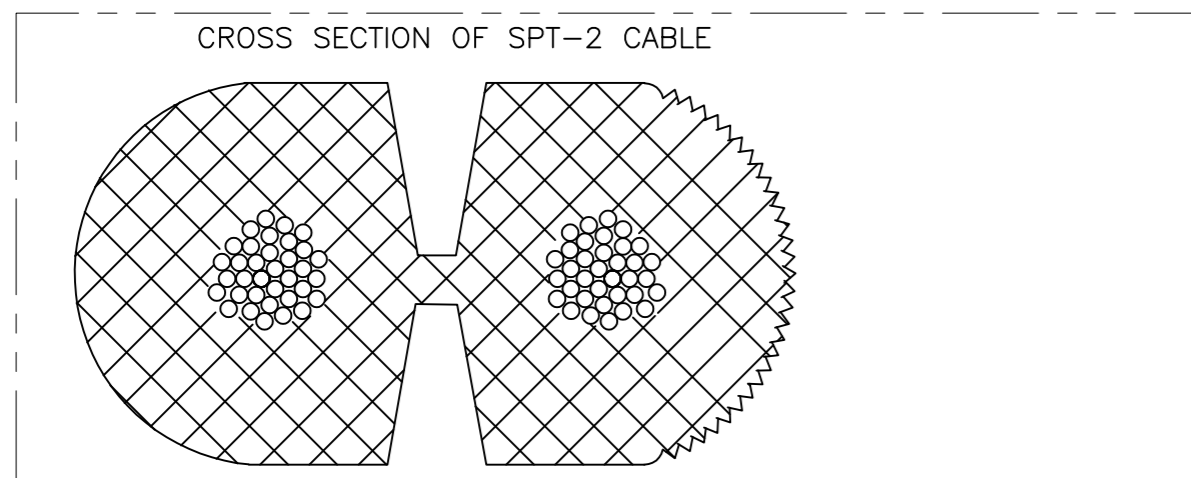
LOC		DIST		REVISIONS			
GP	00	P	LTR	DESCRIPTION	DATE	DWN	APVD
		A		INITIAL RELEASE	01/AUG/11	ECC	PB



WIRING SCHEDULE 3			
OUTLET		SIDE	PLUG
1	+	RIBBED	1
2	-	SMOOTH	2

1. PACKAGING ACC. TO TE SPEC.107-18032
BUNDLE EVERY 25 ASSEMBLIES WITH A RUBBER BAND
2. ELECTRICAL TEST CONTAINING "SHORT CIRCUIT TEST, CONTINUITY AND ACCURATE CAVITY ASSIGNMENT TEST" ACC. TO TE-SPEC.108-18857, SUBSECTION 3.1.1

3 WIRING SCHEDULE AS SHOWN



16.0 FT	±3.84	2181191-8
14.0 FT	±3.36	2181191-7
12.0 FT	±2.88	2181191-6
10.0 FT	±2.4	2181191-5
8.0 FT	±1.92	2181191-4
6.0 FT	±1.44	2181191-3
4.0 FT	±.96	2181191-2
2.0 FT	±.48	2181191-1
"L"	TOLERANCES [INCHES]	TE P/N

THIS DRAWING IS A CONTROLLED DOCUMENT.		DWN	16/JUN/11	TE TE Connectivity	
		E.C. CLAYBAUGH	13/JUL/11		
DIMENSIONS: INCHES		CHK	P. BECKER	NAME	
TOLERANCES UNLESS OTHERWISE SPECIFIED:		APVD	P. BECKER	CABLE ASSEMBLY, NECTOR, HV-4, OUTLET TO PLUG	
0 PLC ± -		PRODUCT SPEC	01/AUG/11	SIZE	CAGE CODE
1 PLC ± -		APPLICATION SPEC		A2	00779
2 PLC ± -				DRAWING NO	RESTRICTED TO
3 PLC ± -				C-2181191	-
4 PLC ± -				SCALE	SHEET
ANGLES ± -		WEIGHT	-	N.T.S.	1 of 1
FINISH		CUSTOMER DRAWING		REV	A